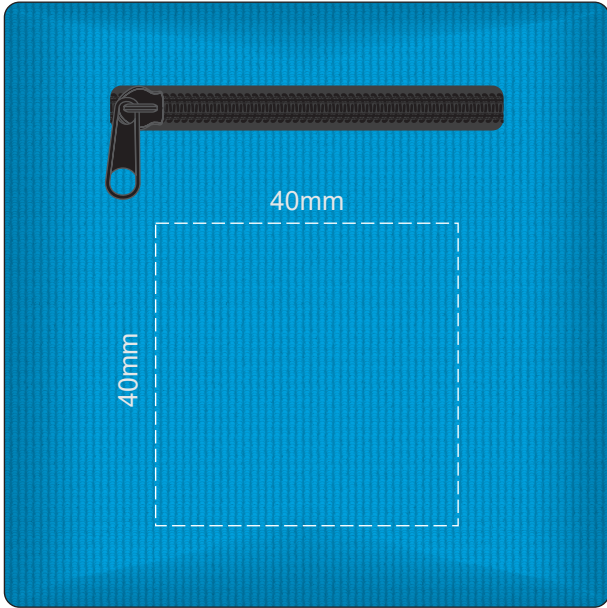
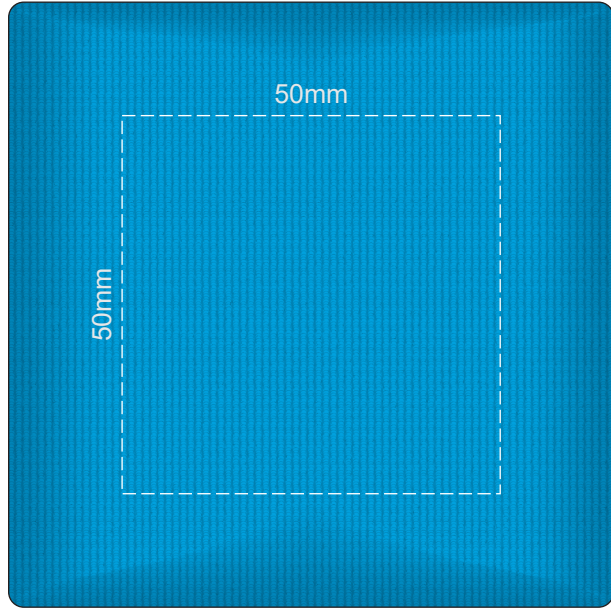


100% of Actual Size
Embroidery (5 colour max)

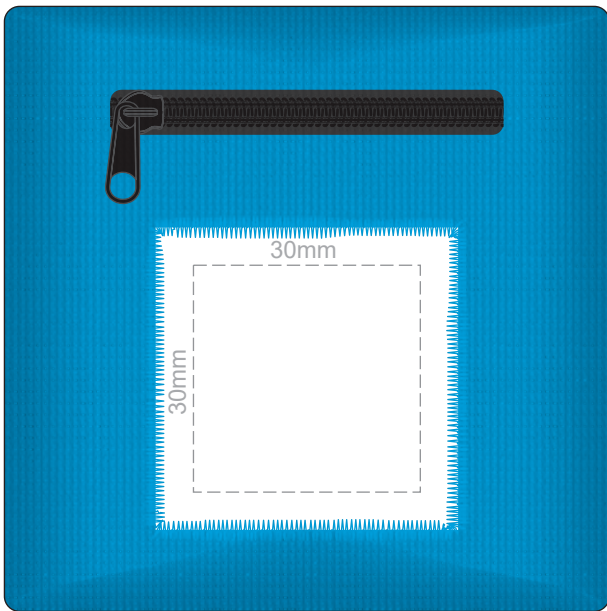


SIDE 1

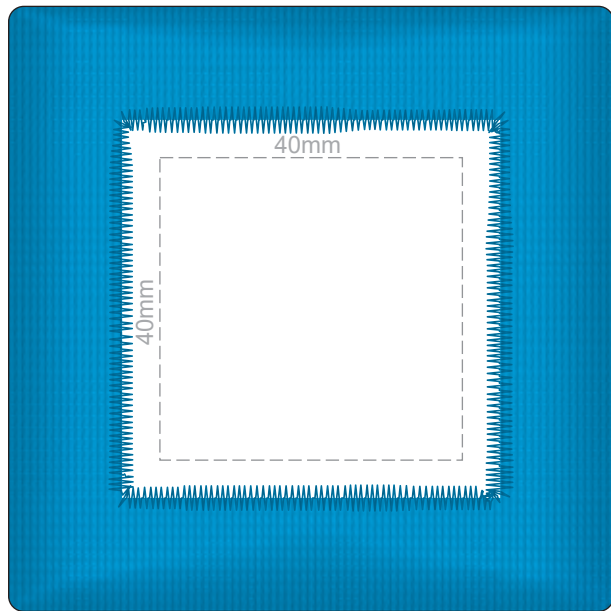


SIDE 2

100% of Actual Size
Woven Badge (5 colour max)



SIDE 1



SIDE 2